

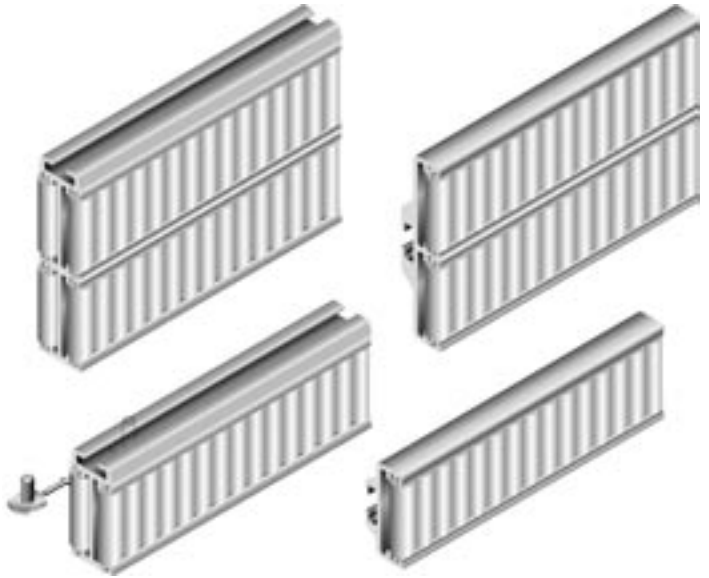
New Products

688 Aluminium SpeedRoll™ 48mm

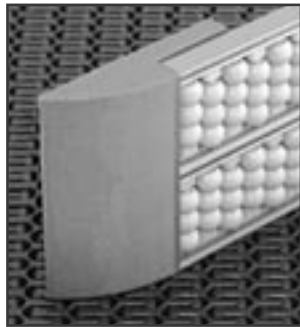
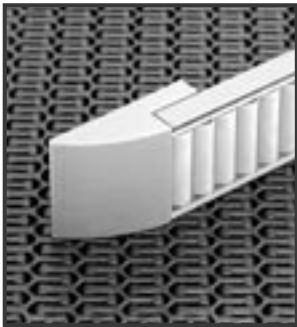
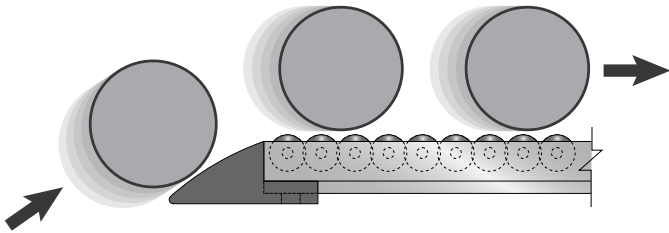
- Easy mounting
- Great for polywrapped containers or PET
- On site bendable
- Cut to desired length



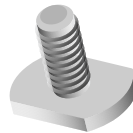
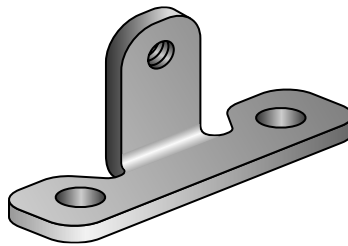
Pat. #
6,516,933



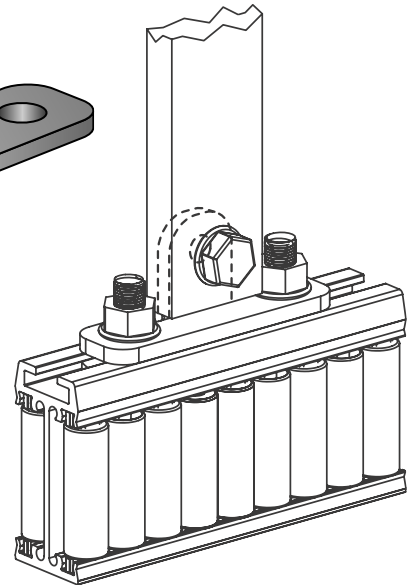
MSP-37 Side Plow



687LDB Lane Divider Bracket



VG-1568M
included

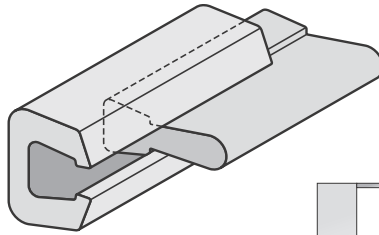


MNP-37 Nose Plow

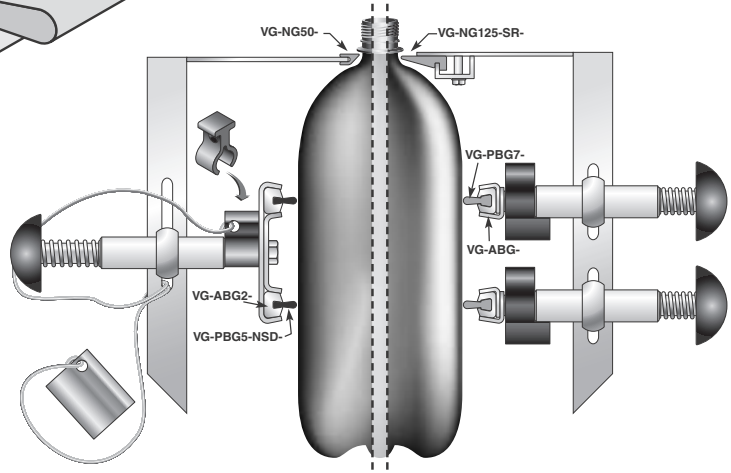


New Products

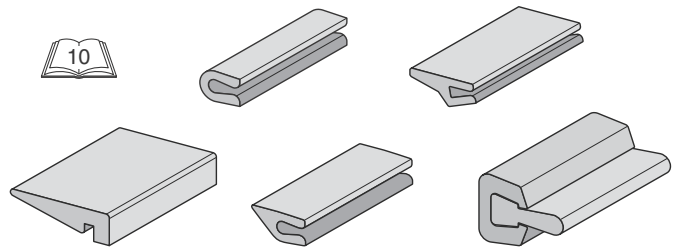
ABG, PBG Neck Guides for PET Containers



*Low friction,
non-marking!
More sanitary*



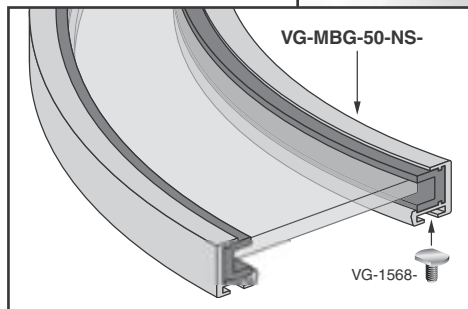
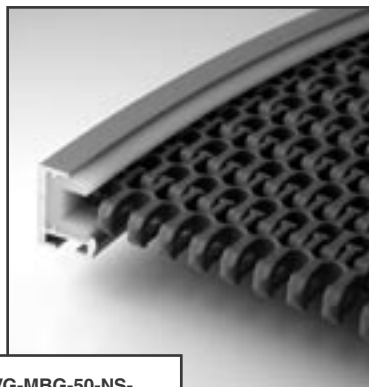
P105R, NG Guides for PET Bottles



MBG Support for Chain and Belts



Aluminum and UHMW guide rail for use in guiding the sides of selected plastic modular conveyor belts through turns. Ultra-low friction. Top and bottom capture of belt. Easily formed into curves with the Valu Guide Rail Bending Machine. Available in 10 ft. lengths. Minimum radius 18" (inside edge).



SBG Support for Chain and Belts



Aluminum and UHMW guide rail for use in guiding the sides and supporting the middle of modular conveyor belts. Ultra-low friction bottom and side support of belt. Easily formed into curves with the Valu Guide Rail Bending Machine. Available in 10 ft. lengths. Minimum radius 18" (inside edge).

