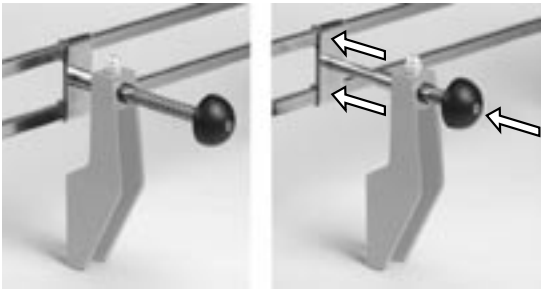
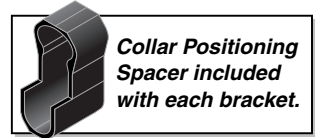


SpeedSet™ Cartridges



SpeedSet™ Cartridges



Adjustment Range (Travel)



Part Number

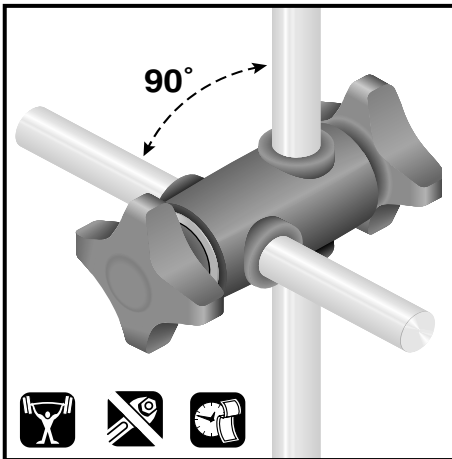
Q-25mm
0-25mm Travel

Q-40mm
0-40mm Travel

Q-65mm
0-65mm Travel

	M8	VG-Q-03-10-M8
	M10	VG-Q-03-10-M10
	M8	VG-Q-05-10-M8
	M10	VG-Q-05-10-M10
	M8	VG-Q-03-15-M8
	M10	VG-Q-03-15-M10
	M8	VG-Q-05-15-M8
	M10	VG-Q-05-15-M10
	M8	VG-Q-03-25-M8
	M10	VG-Q-03-25-M10
	M8	VG-Q-05-25-M8
	M10	VG-Q-05-25-M10

Cross Blocks



Valu Guide 621 series heavy duty cross blocks firmly hold two pins at 90°. When adjustment is necessary, a simple turn of the hand knob loosens and tightens the cross block's grip on the pin. These heavy duty cross blocks are manufactured from corrosion resistant polyamide with stainless steel hardware which provide superior strength and rigidity. The unique design of the 621 series cross blocks does not rely on set screws that can score and mar adjusting pins. Instead, we use eyelets which independently clamp around the adjusting pins for superior holding strength.



- Geschütztes Muster 49808404.3 (D.G.M.)
- Registered No. 2076952 (U.K.)
- Modelo Industrial 143,467 (S.P)

